

## VKS, VK3 // with pipe tee



VKS



VK3

### Your advantages

Series	VKS / VK3
	<ul style="list-style-type: none"> <li>• Plastic version with PVC tee for special applications</li> <li>• PVC tees DN 15...50</li> </ul>

### Technical data

<b>Switching function</b>	Contact → closes at increasing flow → opens at decreasing flow Reversing possible
<b>Pressure rating</b>	PN 10
<b>Temperature ranges</b>	
<b>Medium</b>	0...20 °C (PN 10) 0...60 °C (PN 2.5)
<b>Ambient</b>	0...60 °C
<b>Electrical data</b>	
<b>Electrical connection</b> → VKS → VK3	Plug connector DIN EN 175301-803-A incl. cable socket 1.5 m PVC jacket cable
<b>Switching current</b>	Max. 1 A
<b>Switching voltage</b>	Max. 230 VAC, 48 VDC
<b>Rating</b>	Max. 26 VA, 20 W
<b>Degree of protection EN 60529</b>	IP65
<b>Protection class EN 60730-1</b>	Class II

### Approvals



### Options

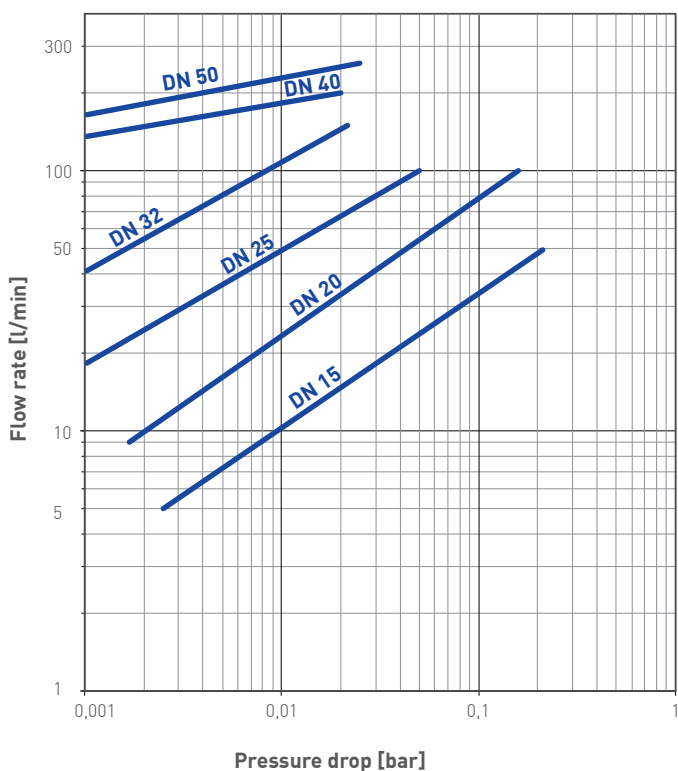
For type	See oder code
<b>VKS</b>	→ Plug connector DIN EN 175301-803-A incl. cable socket with two LED for switching voltages 24 V...230 V AC/DC ±20 %, → or 4-pin-sensor plug M12 x 1
<b>For type</b>	<b>On request</b>
<b>VKS / VK3</b>	→ Special setpoints → 4 different colours of the union nut for distinction
<b>VK3</b>	→ Recognized component ETL according to UL & CSA standards

Nominal diameter	Setpoint ranges [l/min]*		Max. flow rate [l/min]
	Increasing flow ON	Decreasing flow OFF	
DN 15	5.1...6.9	4.9...6.5	50
DN 20	9.4...12.3	9.1...11.9	100
DN 25	10.7...15.2	10.4...14.8	100
DN 32	17.0...22.6	16.8...22.5	150
DN 40	21.8...30.1 (29.6...41.4)**	21.6...29.9 (29.4...40.8)**	200 (260)**
DN 50	29.0...40.0 (37.6...50.0)**	28.6...39.9 (37.4...49.8)**	260 (350)**

\* Water, 20 °C, horizontal pipe, tolerance ±15 %

\*\* The values in brackets are valid for shortened paddles

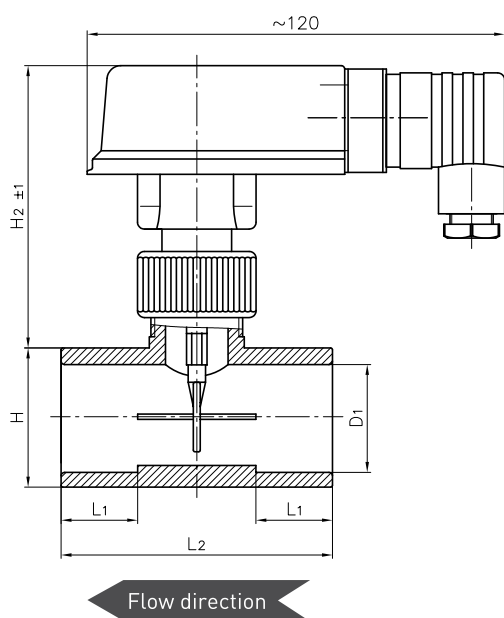
Typical pressure drop



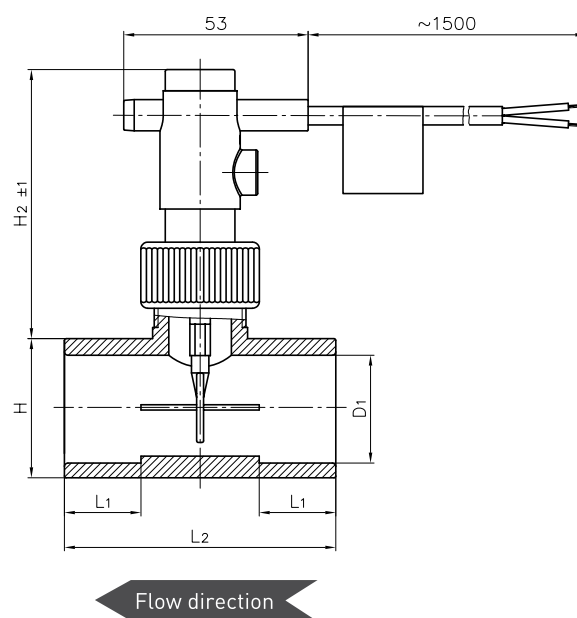
## Dimensions [mm]

Nominal diameter	D <sub>1</sub>	L <sub>1</sub>	L <sub>2</sub>	H <sub>1</sub>	H <sub>2</sub> VKS	H <sub>2</sub> VK3
DN 15	20	16	54	28	84	80
DN 20	25	19	66	34	86	82
DN 25	32	22	78	40	86	82
DN 32	40	26	98	50	104	100
DN 40	50	31	118	62	103	99
DN 50	63	38	144	77	101	97

VKS



VK3



## Materials in contact with fluid

Body, Paddle	PPE+PS Noryl™ 30 % glass fibre reinforced
Pipe tee	PVC
Pin*	Stainless steel 1.4571
Magnet	Hard ferrite
Gasket	EPDM

\* only VKS25, VKS40, VKS50, VK325, VK340 and VKS350

Order code				
Type				
<b>VKS</b>				
Plug connector incl. cable socket (standard)	VKS		M0P17	
Plug connector incl. cable socket with LED (option)	VKS		M0P19	
4-pin-sensor plug M12 x 1 (option)	VKS		M0P18	
<b>VK3</b>				
1.5 m PVC jacket cable	VK3		M0P10	
Nominal Diameter				
DN 15		15		PK3K
DN 20		20		PK4K
DN 25		25		PK5K
DN 32		32		PK6K
DN 40		40		PK7K
DN 50		50		PK8K
<b>Example order number</b>	<b>VKS</b>	<b>15</b>	<b>M0P17</b>	<b>PK3K</b>