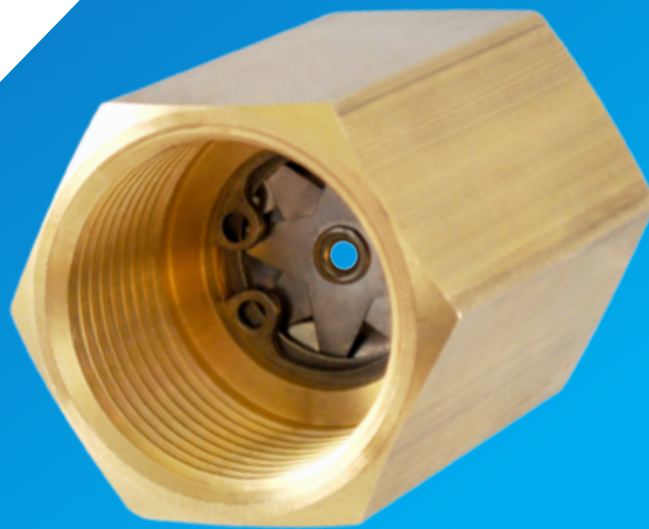


→ Series VB

---



FLOW REGULATORS →

## Flow regulators

The flow regulators type VB15 and VB20 were developed to maintain a constant specific rate of flow in water-like media. They ensure that the flow rate is maintained constant or is not exceeded even with fluctuating pressures upstream or downstream of the flow regulator.

Supplying the individual sections with the desired flow volumes, while permitting hydraulic compensation is especially important in complex pipeline systems with several consumers.

### Principle of operation

The free cross-section for the flow medium in the control unit is correspondingly altered under the effects of the existing differential pressure. By increasing the gap opening with diminishing pressure or reducing it in the case of increasing pressure, a constant volume flow through the flow regulator is maintained.



### Advantages

- No auxiliary power is required
- Simple construction
- Compact design
- Reliable, no wearing parts
- Easy installation

### Applications

- Cooling water systems
- Water treatment systems
- Sanitary installations
- Industrial water distribution systems



# Flow regulators

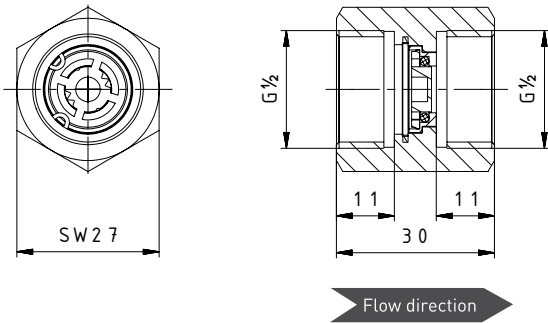
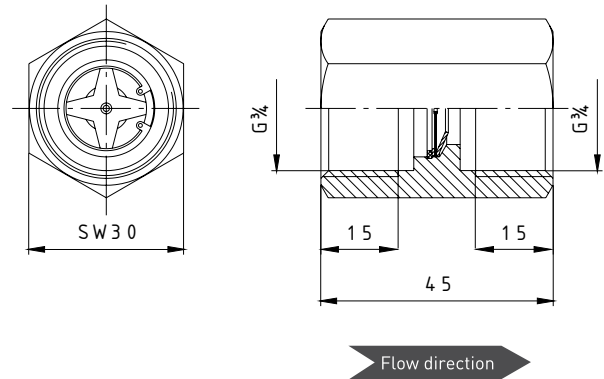
## Series VB



Technical data	
Type	Set value (flow rate) [l/min]*
VB1503SR...	3
VB1504SR...	4
VB1506SR...	6
VB1507SR...	7
VB1508SR...	8
VB1510SR...	10
VB1512SR...	12
Common data	
<b>Tolerance of control</b>	≤ 5 l/min: ±15 % > 5 l/min: ±10 %
<b>Medium temperature</b>	10...60 °C
<b>Working pressure</b>	1...10 bar
<b>Diameter</b>	DN 15
<b>Process connection</b>	G½

Technical data	
Type	Set value (flow rate) [l/min]*
VB2001ER...	1
	Set values 1...30 l/min in 1 l/min steps available
VB2030ER...	30
Common data	
<b>Tolerance of control</b>	< 3 l/min: ±15 % > 3 l/min: ±10 %
<b>Medium temperature</b>	-20...200 °C
<b>Working pressure</b>	2...10 bar
<b>Diameter</b>	DN 20 (optional DN 15)
<b>Process connection</b>	G¾ (optional G½) female

\* Water, 20 °C

**VB15**

**VB20**

**Materials in contact with fluid**

Type	VB15	VB20
Pipe section	Brass CW617N or stainless steel 1.4571	Brass CW617N or stainless steel 1.4305
Inner parts	EPDM, Hostaform C POM, stainless steel 1.4422	Stainless steel 1.4310 / 1.4301 / A2

Order code	Example → VB1503SR	MS1
<b>Set value</b>		
3 l/min	VB1503SR	
4 l/min	VB1504SR	
6 l/min	VB1506SR	
7 l/min	VB1507SR	
8 l/min	VB1508SR	
10 l/min	VB1510SR	
12 l/min	VB1512SR	
<b>Material</b>		
Brass		MS1
Stainless steel		VA1

Order code	Example → VB2001ER	MS3
<b>Set value</b>		
1 l/min	VB2001ER	
2 l/min	VB2002ER	
Requested set value in steps of 1 l/min		
30 l/min	VB2030ER	
<b>Material</b>		
Brass		MS3
Stainless steel		VA3