

Flow switches // VH501

For insertion installation



Highlights

- Comply with following technical specifications for railway applications:
 - DIN EN 60077-1:2018
 - DIN EN 50125-1:2014
 - DIN EN 50216-5:2007
 - DIN EN 45545-2:2020
- For oil flow monitoring
- For pipes DN 65...DN100 (DN 25...DN 50 on request)
- High switching currents → Microswitch is used as switching element
- Optional: Cable gland selectable on three sides, flanged or threaded version

Technical data

Switching function	Change over contact or two change over contacts
Setpoint*	Flanged version 6 m ³ /h at increasing flow for DN 65 pipes Threaded version 10 m ³ /h at increasing flow for DN 80 pipes
Pressure rating (Test pressure)	Max. 10 bar (14 bar)
Process connection	Flange, oval, 2 holes without O-ring groove; Flange, round, 4 holes without O-ring groove Screw in connection G1 male
Vibration proof IEC61373	4g
Temperature ranges	
Medium	-40...120 °C
Ambient	-40...100 °C
Storage	-40...100 °C

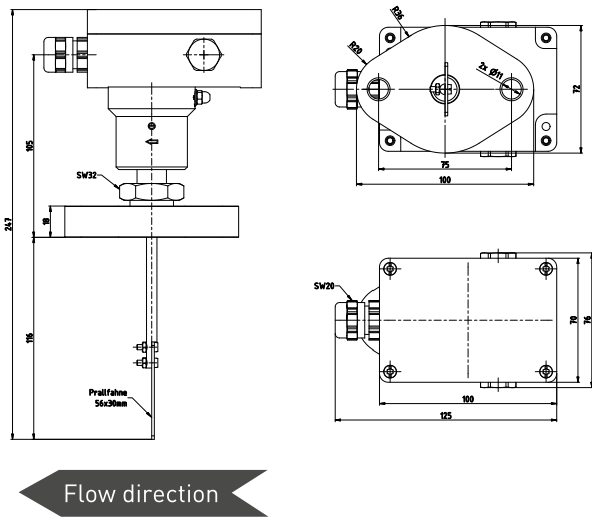
* Other setpoints on request

Electrical data

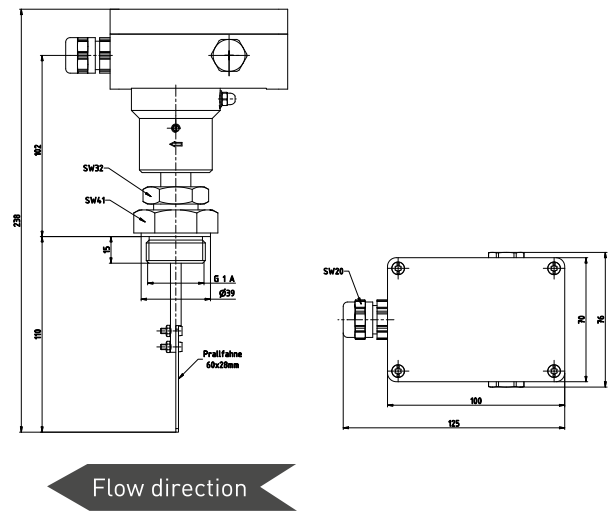
Electrical data	
Electrical connection	Direct cabling, QC terminals 2.8 x 0.5 mm
Max. contact rating	48 VDC, 1 A resistive load 110 VDC, 0.5 A resistive load / 0.2 A inductive load 250 VAC, 6 A resistive load
Degree of protection EN 60529	IP68 and IP69K
Terminal box	
Surface finish	Powder coated RAL9006
Impact resistance	IK10 (10 Joule)
Cable gland	M16 x 1.5
Cable diameter range	4...11 mm
Cable gland orientation	Location selectable on three sides

Technical drawings // Materials

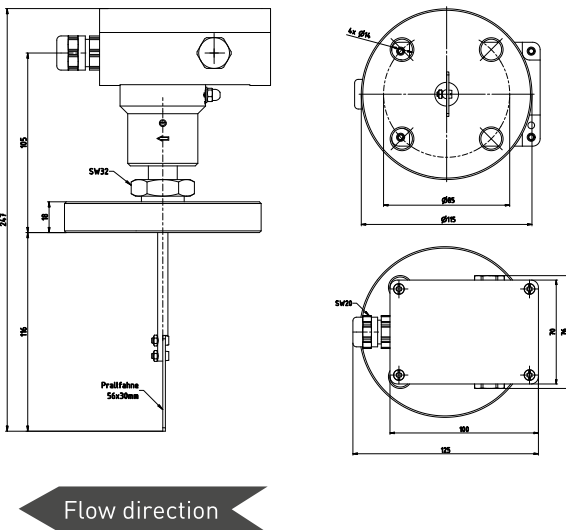
Flanged version, oval flange



Threaded version



Flanged version, round flange



Materials in contact with fluid

Body, process connection	Brass 2.0401 and brass 2.041nickel-plated
Bellow system	Stainless steel 1.4571
Paddle	Stainless steel 1.4571
Flange*	Stainless steel 1.4404
Gasket**	TESNIT® BA-50
O-rings	FVMQ

* Only flanged version

** Only threaded version

Article numbers

Order code				
Type				
VH501	VH501R			
Process connection				
Flange, oval, 2 holes without O-ring groove		F1		1N3Q00
Flange, round, 4 holes without O-ring groove		A1		1N3Q00
Screw in connection G1 male		B1		1N1Q00
Switching function				
One change over contact			1	
Two change over contacts			2	
Example order number	VH501R	F1	1	1N3Q00