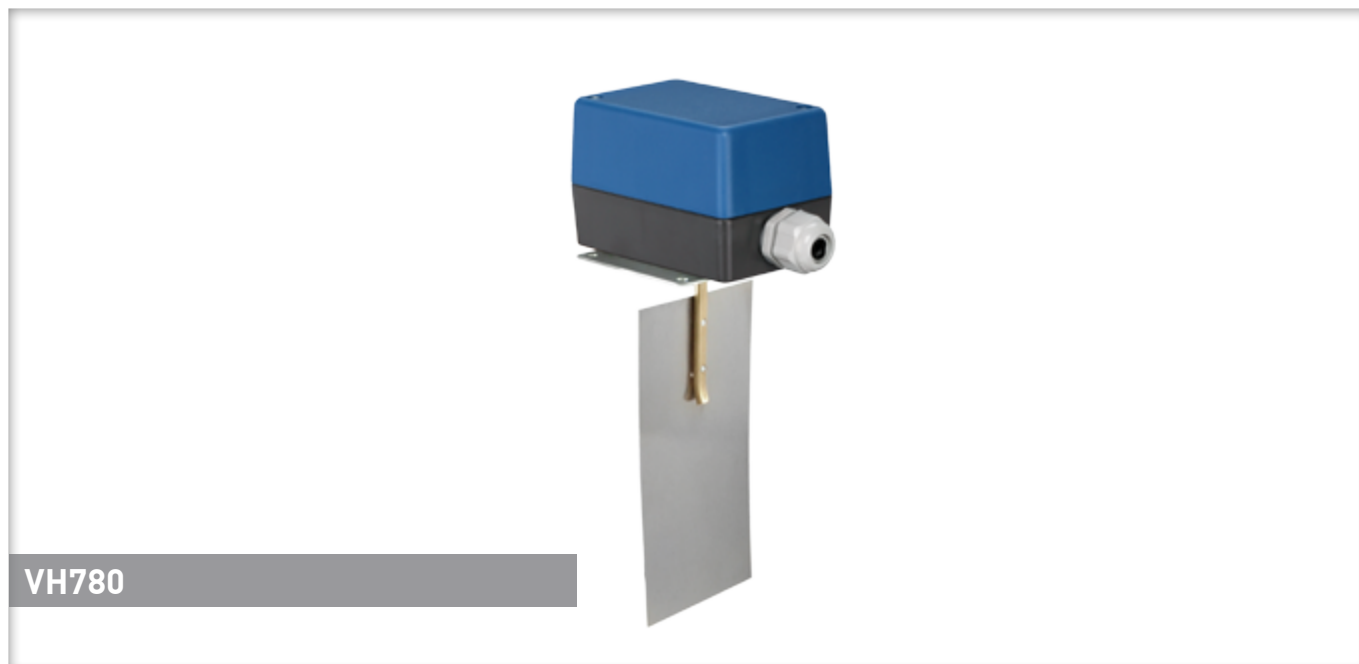


VH780 // for insertion installation



VH780

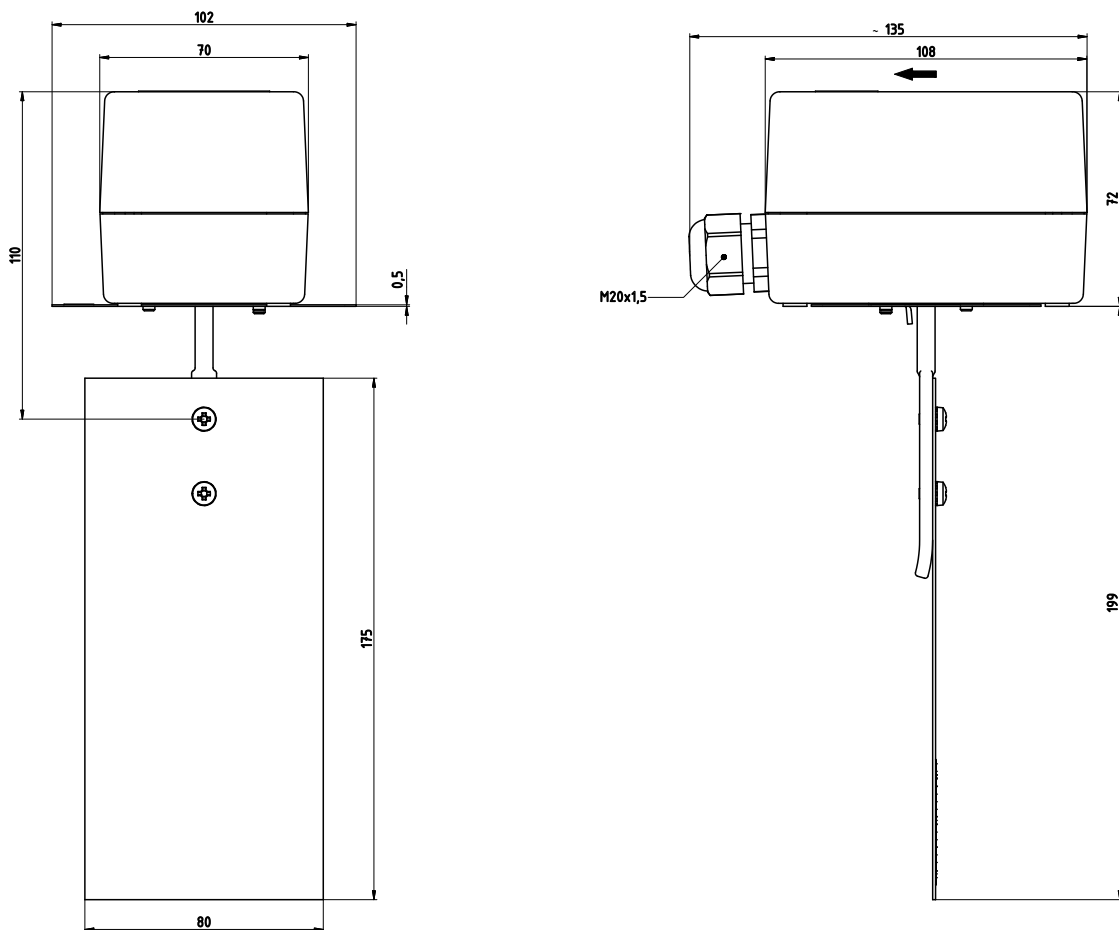
Your advantages

Series	VH780
	<ul style="list-style-type: none"> • For monitoring air flow • Adjustable for pipe size and setpoint by paddle size selection • High switching currents → Microswitch is used as switching element

Technical data

Switching function	Change over contact
Pressure rating	Atmospheric pressure
Temperature ranges	
Medium	-10...85 °C
Ambient	-35...65 °C
Storage and Transportation	-40...85 °C
Electrical data	
Max. contact rating	250 VAC, 15 A, 8 A inductive load
Degree of protection EN 60529	IP65
Protection class EN 60730-1	Class I

Setpoint ranges [m/s]			
Paddle size	Increasing velocity ON	Decreasing velocity OFF	Max. velocity
175 x 80 mm	2...5	1...4	7
Cut to 175 x 45 mm	2.5...9.2	2...8	10



Materials	
Paddle	Stainless steel 1.4404
Lever	Brass CW607N
Flange	Zink coated steel
Case	ABS / PC
Flange gasket	Betaflex® 77

Order code	
Type	Order number
VH780	VH780V1S1AS13130