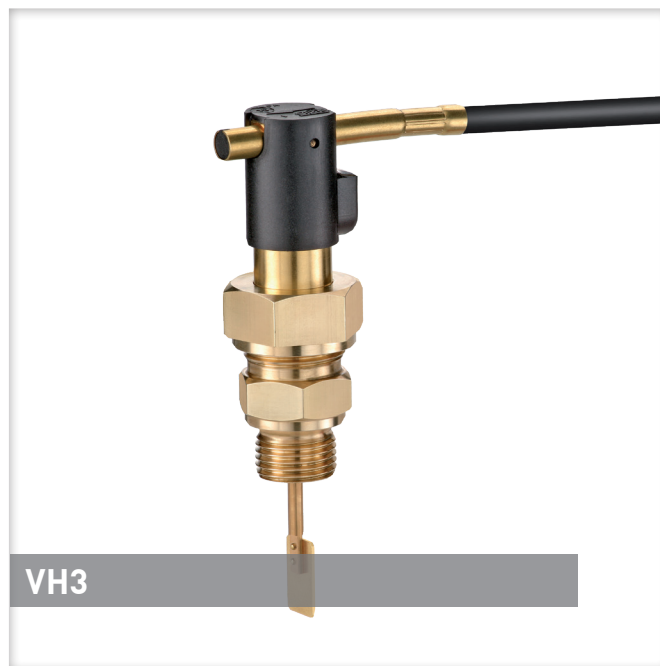


## VHS, VH3 // for insertion installation



### Your advantages

#### Series

#### VHS / VH3

- Standard flow switches
- Direct installation into pipe lines DN 50...150
- Threaded adapters for tees and direct insertion into pipes
- Alternatively soldering adapter or welding adapter

### Technical data

<b>Switching function</b>	Contact → closes at increasing flow → opens at decreasing flow Reversing possible
<b>Pressure rating</b>	PN 25
<b>Temperature ranges</b>	
<b>Medium</b>	-25...110 °C
<b>Ambient</b>	-25...80 °C
<b>Electrical data</b>	
<b>Electrical connection</b>	Plug connector DIN EN 175301-803-A incl. cable socket → VHS → VH3 1.5 m PVC jacket cable
<b>Max. switching current</b>	1 A
<b>Max. switching voltage</b>	230 VAC, 48 VDC
<b>Max. rating</b>	26 VA, 20 W
<b>Degree of protection EN 60529</b>	IP65
<b>Protection class EN 60730-1</b>	Class II

### Approvals



### Options

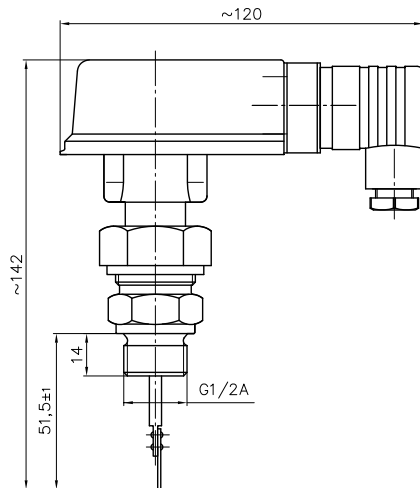
For type	See order code
<b>VHS</b>	→ Plug connector DIN EN 175301-803-A incl. cable socket with two LED for switching voltages 24 V...230 V AC/DC ±20 %, ambient temperature -20...70 °C → or 4-pin-sensor plug M12 x 1
<b>VHS / VH3</b>	→ For use in potentially explosive atmospheres (version VH...X) max. medium temperature 100 °C

Type	Process connection	Insert in Nominal diameter	Setpoint ranges [m <sup>3</sup> /h]*		Max. flow rate [m <sup>3</sup> /h]
			Increasing flow ON	Decreasing flow OFF	
VH305 / VHS05	Threaded adapter G½**	DN 50	1.9...2.7	1.8...2.6	30
		DN 80	5.0...8.0	4.9...7.9	80
		DN 100	8.3...12.5	8.2...12.4	150
		DN 150	17.5...25.0	17.4...24.9	200
VHS01	Soldering adapter / welding adapter	DN 50	3.8...4.9	3.7...4.8	30
		DN 80	9.0...14.3	8.9...14.2	100
		DN 100	13.0...18.8	12.7...18.4	150
		DN 150	33.0...46.0	32.9...45.9	200

\* Water, 20 °C, horizontal pipe, tolerance ±15 %

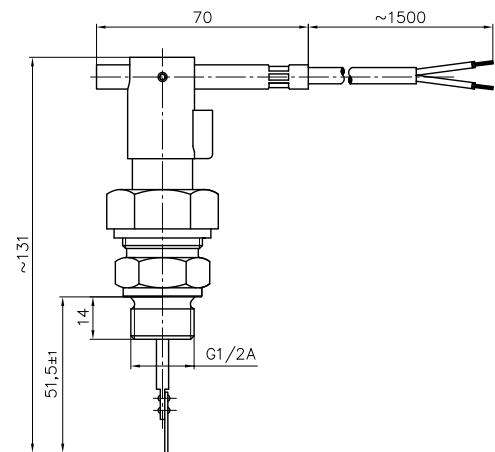
\*\* Installation into welded socket according to EN 10241, G½ female, length 15 mm

VHS05



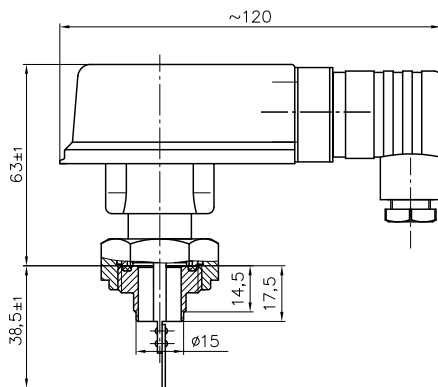
Flow direction

VH305



Flow direction

VHS01



Flow direction

## Materials in contact with fluid

	Brass version	Stainless steel version
<b>Body, Paddle</b>	CW614N	1.4571
<b>Process connection</b>	VHS05: CW614N VH305: CW614N VHS01: CW617N	1.4571
<b>Bushing</b>	PPE+PS Noryl™ 30 % glass fibre reinforced	PVDF
<b>Rivet</b>	CW508L	1.4303
<b>Pin</b>	1.4571	
<b>Magnet</b>	Hard ferrite	
<b>O-ring</b>	NBR	

Order code									
Type									
<b>VHS</b>									
Plug connector incl. cable socket (Standard)		VHS		17					
Plug connector incl. cable socket with LED (option)		VHS		19					
4-pin-sensor plug M12 x 1 (option)		VHS		18					
Process connection									
Threaded Adapter G½		05M0				R2			
Soldering adapter (brass) or welding adapter (stainless steel)		01M0				D1			
Material									
Brass			1		1			1	
Stainless steel			3		3			3	
Version									
Standard									( )*
For use in potentially explosive atmospheres (option)**									X
<b>Example order number</b>		<b>VHS</b>	<b>05M0</b>	<b>1</b>	<b>17</b>	<b>1</b>	<b>R2</b>	<b>1</b>	

\* No character

\*\* Only available with plug connector incl. cable socket

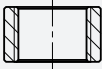
**BEST  
SELLER**

Typ		Artikelnummer							
<b>VHS05</b>	Plug connector incl. cable socket, threaded Adapter G½, brass	<b>VHS</b>	<b>05M0</b>	<b>1</b>	<b>17</b>	<b>1</b>	<b>R2</b>	<b>1</b>	

Order code									
Type									
<b>VH3</b>									
1.5 m PVC jacket cable		VH305M0		11		R2			
1.5 m PVC blue jacket cable (only for option „for use in potentially explosive atmospheres“)		VH305M0		13		R2			
Material									
Brass			1		1			1	
Stainless steel			3		3			3	
Version									
Standard									( )*
For use in potentially explosive atmospheres (option)**									X
<b>Example order number</b>		<b>VH305M0</b>	<b>1</b>	<b>11</b>	<b>1</b>	<b>R2</b>	<b>1</b>		

\* No character

\*\* Only available with blue jacket cable

Accessories		Order number
	Welding socket according to EN 10241 G½ female thread, length 15 mm Steel S 235 JR	XVH1470