

## T10 // with connection cable // 0...850 °C



T10

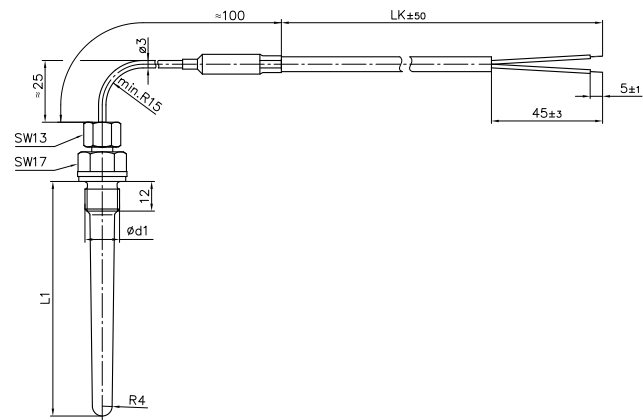
### Your advantages

Type	T10
	<ul style="list-style-type: none"> <li>• For exhaust gas temperature measurement on diesel and gas engines, turbines and compressors → Up to 850 °C Medium temperature</li> <li>• Compact and robust design → Easy to integrate</li> <li>• Very high vibration and shock resistance → Reliable and long-lasting operation</li> <li>• Extremely resistant connecting cable → Enables use in harsh environments</li> </ul>

Technical data	
Type	Temperature sensor with connection cable
Measuring range	0...850 °C
Measuring medium	Exhaust gases marine diesel engines
Immersion tube length	65 or 95 mm
Immersion tube diameter	Conical 10 to 8 mm
Process connection	M14 x 1,5, G¼
Nominal pressure	PN 25
Medium temperature	0...850 °C
Ambient temperature	-40...85 °C
Storage temperature	-25...70 °C
Degree of protection according to EN 60529	IP54

Electrical data	
Measuring element	1 x NiCr-Ni (Type K)
Measuring insert	Interchangeable
Accuracy	Class 1 / ±1.5 °C or 0.004 x  t
Electrical connection	FEP cable, wire braided

## T10



## Materials

## In contact with media

## Process connection

Stainless steel 1.4876

## Protection tube

Stainless steel 1.4876

Order code									
<b>Type</b>									
Thermocouple	T								
<b>Diameter</b>									
10 mm	10								
<b>Material</b>									
Stainless steel 1.4876	0								
<b>Sensor element</b>									
1 x NiCr-Ni (Type K)			1TK						
<b>Nominal length L1</b>									
65 mm				065					
95 mm				095					
<b>Measuring insert</b>									
Interchangeable					2				
<b>Electrical connection</b>									
FEP cable, wire braided						07			
<b>Process connection d1</b>									
M14 x 1.5							G		
G¼							L		
<b>Cable length LK</b>									
1.0 m									01
1.5 m									02
2.0 m									03
2.5 m									04
<b>Example order number</b>									
	T	10	0	1TK	065	2	07	L	01

