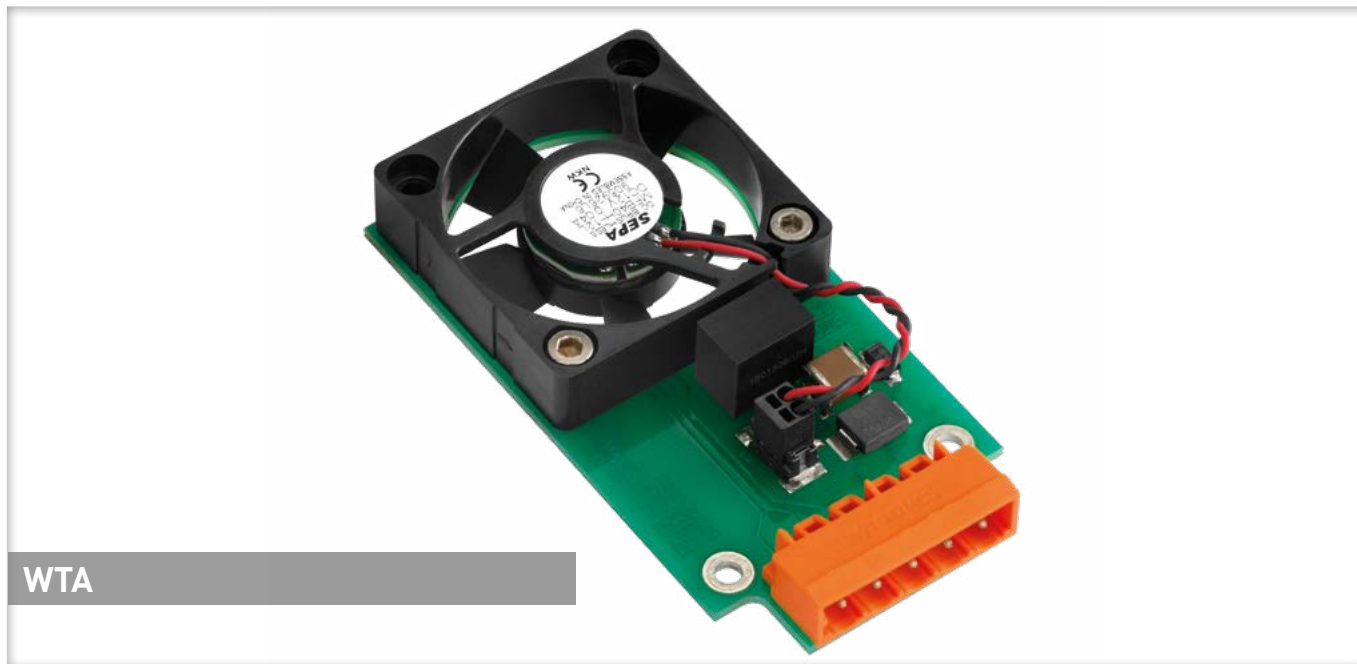


## Temperature sensor WTA modular // actively ventilated // -40...85 °C



WTA

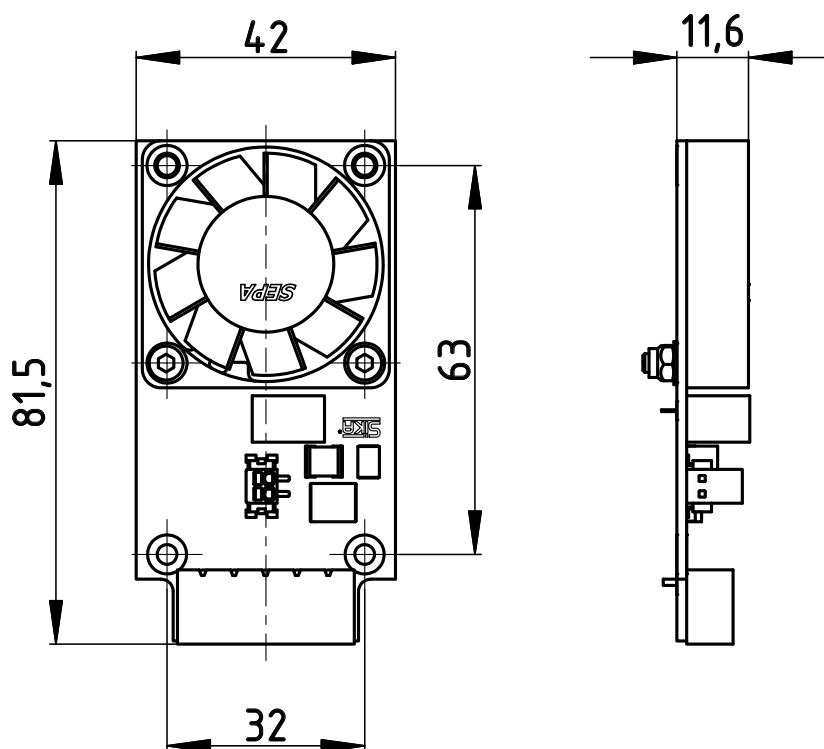
### Your advantages

Type	WTA
	<ul style="list-style-type: none"> <li>• For room temperature measurement in vehicles</li> <li>• Actively ventilated sensor elements → Enables hidden rear wall mounting combined with short response time</li> <li>• Two integrated sensor elements → Cost savings through variant reduction</li> <li>• Low noise fan → Passenger is not disturbed by fan noise</li> <li>• Very high vibration resistance → Reliable and durable operation</li> <li>• Type-tested according to DIN EN 50155</li> </ul>

Technical data	
<b>Type</b>	Modular room temperature sensor for rear wall mounting, actively ventilated
<b>Measuring range</b>	-40...85 °C
<b>Measuring medium</b>	Ambient air (non-aggressive gases)
<b>Dimensions [mm]</b>	81.5 x 42 x approx. 11.6 (W x H x D)
<b>Process connection</b>	Drill holes 4 mm (optionally with customer-specific mounting plates)
<b>Nominal pressure</b>	n.a. (atmospheric pressure)
<b>Medium temperature</b>	-40...85 °C
<b>Ambient temperature</b>	-40...85 °C
<b>Storage temperature</b>	-25...70 °C
<b>Degree of protection according to EN 60529</b>	IP10

Electrical data	
<b>Measuring element</b>	1 x NTC 5k and 1 x NTC 2k
<b>Measuring insert</b>	Not interchangeable
<b>Accuracy</b>	NTC 5k@25 °C, 1 % (B25/85 = 3970 K ± 1 %) NTC 2k@25 °C, 1 % (B25/85 = 3200 K ± 1 %)
<b>Electrical connection</b>	Plug WAGO, 5-pin
<b>Supply voltage</b>	16...32 VDC

WTA



All dimensions in mm

**Materials**

In contact with media

Complete assembly

various

**Order code**

Type

WTA Modular room temperature sensor for rear wall mounting, actively ventilated

W0SQCOX0XXXRA